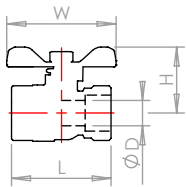
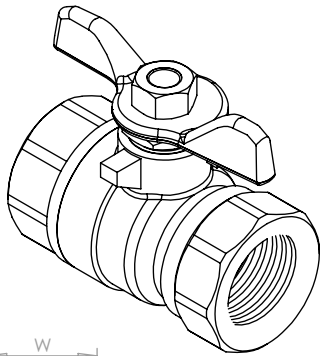
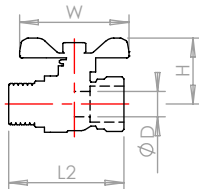
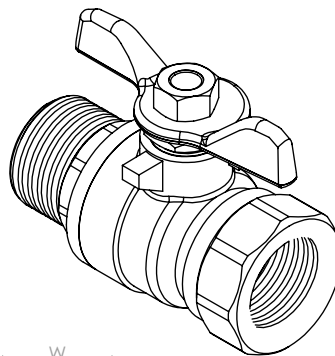


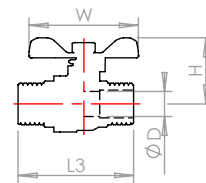
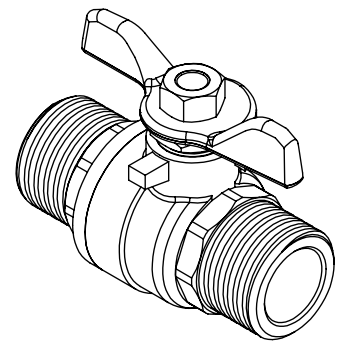
**FULL PORT ALL PURPOSE
BLOWOUT-PROOF STEM
BRASS T HANDLE
600 PSI W.O.G.
150 PSI SATURATED STEAM
AGA/CGA/CSA/UL/FM LISTED**



FEMALE x FEMALE



FEMALE x MALE



MALE x MALE

LIST OF PARTS AND MATERIALS

NUT	STEEL-ZINC PLATED
STEM PACKING	TEFLON-PTFE
STEM GLAND SCREW	BRASS-ASTM B16 C36000/JIS C3604BD
STEM	BRASS-ASTM B16 C36000/JIS C3604BD
HANDLE	BRASS-ASTM B124 C37700/JIS C3771BE
BALL DISC PACKING	TEFLON-PTFE
BALL DISC	BRASS-CHROME PLATED ASTM B16 C36000/JIS C3604BD ASTM B124 C37700/JIS C3771BE
END PLUG	BRASS-ASTM B124 C37700/JIS C3771BE
BODY	BRASS-ASTM B124 C37700/JIS C3771BE
PART NAME	MATERIAL

SIZE	Dimensions-mm./inch					
	D	H	W	L1	L2	L3
1/8"	8.6	31	55	45	52	52
	0.34	1.22	2.17	1.77	2.05	2.05
1/4"	9.6	31	55	45	52	52
	0.38	1.22	2.17	1.77	2.05	2.05
3/8"	9.6	31	55	46	52	52
	0.38	1.22	2.17	1.81	2.05	2.05
1/2"	12.7	33	55	50	58	58
	0.50	1.30	2.17	1.97	2.28	2.28
3/4"	19	41	70	60	69	70
	0.75	1.61	2.76	2.36	2.72	2.76
1"	25	45	70	72	81	81
	0.98	1.77	2.76	2.83	3.19	3.19